

XP SERIES POWER INVERTERS



XP 125



XP 250



XP 600



XP 1100

Made in America, **EXELTECH XP SERIES INVERTERS** are the most affordable, reliable, lightweight and best regulated, true sine wave inverters available. The **XP SERIES** inverter will operate any AC load anywhere. Ultra lightweight, yet rugged enough for the most extreme mobile environments, the **XP SERIES** is available in 100Vac, 120Vac, or 230Vac in 50Hz, 60Hz or 400Hz for land, marine or military applications, worldwide.

TRUE SINE WAVE

125 WATTS TO 1100 WATTS

12VDC TO 108VDC INPUT

RACK MOUNT OPTIONAL

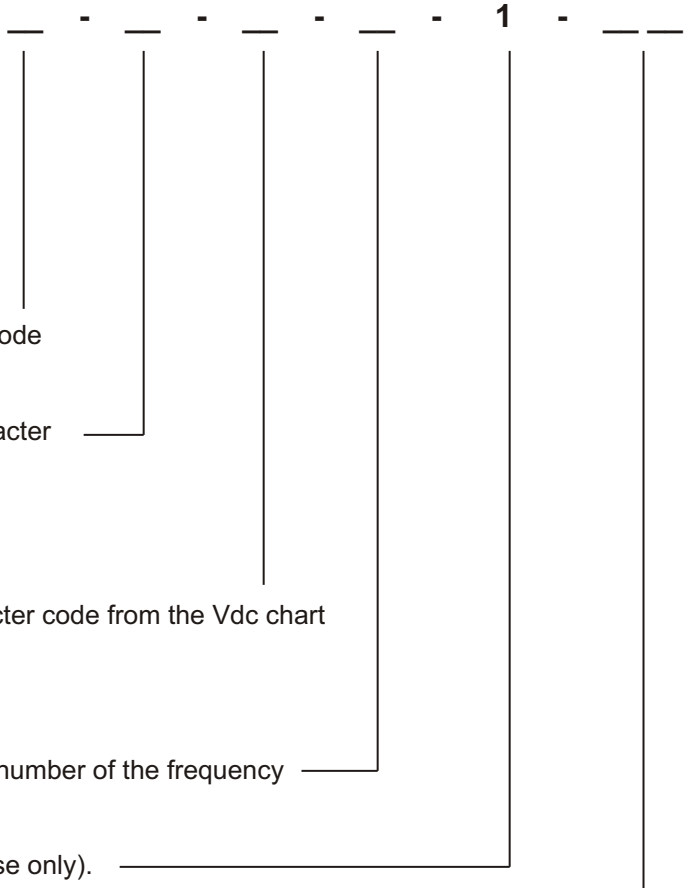
REMOTE SWITCHING

21.5 YEARS MTBF

XP SERIES

PART NUMBERING SYSTEM

EXELTECH XP SERIES XP
MODEL NUMBER



Step 1: Model number always starts with XP.

Step 2: To designate wattage enter the single character code
1 for 125, 2 for 250, 6 for 600, K for 1100

Step 3: To designate output voltage enter the single character code from the Vac chart

Vac OUTPUT VOLTAGE CHART			
AC Volts	100	120	230*
Designation	0	1	3

*Not available in 125watt models

Step 4: To designate input voltage enter the single character code from the Vdc chart

Vdc INPUT VOLTAGE CHART						
DC Volts	12	24	32	48	66	108
Designation	1	2	B	4	E	I

Step 5: Output frequency is designated by using the first number of the frequency
5 for 50Hz, 6 for 60Hz and 4 for 400 Hz

Step 6: This designates revision level (For EXELTECH use only).

Step 7: To designate option, enter the code from the option chart below. If no option is required please leave it blank.

OPTION CHART	
Option	Code
Conformal coating	07
Low idle current drain	02*
Circuit board with heat sink only	04**
50MS transfer relay	20***

* available thru a distributor only(only on XP1100W)

**available for OEM's only

***available on XP600 and XP1100 only

EXAMPLE: XP600 with
117Vac output, 12Vdc input,
60Hz with the conformal
coating option would require
the following model number:
XP6-1-1-6-1-07



EXELTECH

7317 Jack Newell Blvd North
Fort Worth, Texas 76118-7100
817.595.4969 voice, 817.595.1290 fax
800.886.4683 toll free
e-mail address info@exeltech.com
e-mail address sales@exeltech.com
website www.exeltech.com

OUTPUT POWER

CONTINUOUS POWER	SURGE POWER	NO LOAD POWER	OUTPUT VOLTAGE	OUTPUT CURRENT	WEIGHT LBS.
125W	150W	5W	100	1.2	2
125W	150W	5W	117	1.1	2
250W**	300W	6W	100	2.5	5
250W**	300W	6W	117	2.1	5
250W**	300W	7W	230	1.1	5
600W**	1100W	8W	100	6.0	6.5
600W**	1100W	8W	117	5.1	6.5
600W**	1100W	9W	230	2.7	6.5
1100W**	2200W	20W*	100	11.0	10
1100W**	2200W	20W*	117	9.5	10
1100W**	2200W	20W*	230	4.8	10

*10W with X2 option
**remote switchable

INPUT POWER

MODEL VOLTAGE	MINIMUM ¹ (TYPICAL)	SYSTEM (TYPICAL)	MAXIMUM ¹ (TYPICAL)	TYPICAL EFFICIENCY @ FULL POWER	PEAK EFFICIENCY @ 1/3 POWER
12V	10.4/10.6*	13.8V	16.5V	85%	87%
24V	19/21V*	27.6V	33V	87%	89%
32V	26.5/28V*	36.8V	44V	88%	90%
48V	41.5/42.5V	55.2V	62V	87%	89%
66V	57.5/58.5V*	75.9V	91V	88%	90%
108V	94/95V*	125V	149V	87%	90%

¹Indicates typical cut-off voltage/warning buzzer voltage

¹ +/- 3%

GENERAL

CONDITIONS	MINIMUM	TYPICAL	MAXIMUM
WAVEFORM	-	SINUSOIDAL	-
VOLTAGE OUTPUT	-5%	NOMINAL	+5%
LINE REGULATION	-	0.1%	0.5%
LOAD REGULATION	-	0.5%	1%
DISTORTION	-	1.5%	2%
FREQUENCY	-0.1%	NOMINAL	+0.1%

See www.exeltech.com for more data regarding XP Series inverters.

MECHANICAL

Case size (WxHxD)

125W case size= 4.93" x 2.00" x 6.80"
(2 lbs)
250W case size= 5.23" x 2.77" x 10.38"
(5 lbs)
600W case size= 7.70" x 3.60" x 11.77"
(6.5 lbs)
1100W case size= 7.70" x 3.60" x 14.77"
(10 lbs)

OPTIONS

XP Options:

- conformal coating (07 option)
- low idle current drain (02 option)*
- circuit board with heat sink only (04 option) many other options available for OEM applications, consult factory.

*1100 watt only

PROTECTION CIRCUITRY

*Over Voltage: Shut off at maximum input voltage, per input conditions. Automatic reset upon fault correction.

*Under Voltage: Shut off at minimum input voltage, per input conditions

*Thermal: 105 C internal temperature. Warning buzz 5 C before shut off

Output Short: Unit shuts off (manual reset)

*Automatically reset

ENVIRONMENTAL

Temperature: -25 to 30 C full power derated above 30 C

Humidity: 5 to 95% non condensing

Altitude: -200 to 10k feet full power, derated above 10k

Audible Noise: Less than 45dba

Cooling: 600W/1100W Thermo-statically controlled forced air. 125W/250W convection cooled.

Finish: Painted aluminum

Warranty: Full year parts labor

EXELTECH

7317 Jack Newell Blvd North
Fort Worth, Texas 76118-7100
817.595.4969 voice, 817.595.1290 fax
800.886.4683 toll free
e-mail address info@exeltech.com
e-mail address sales@exeltech.com
website www.exeltech.com