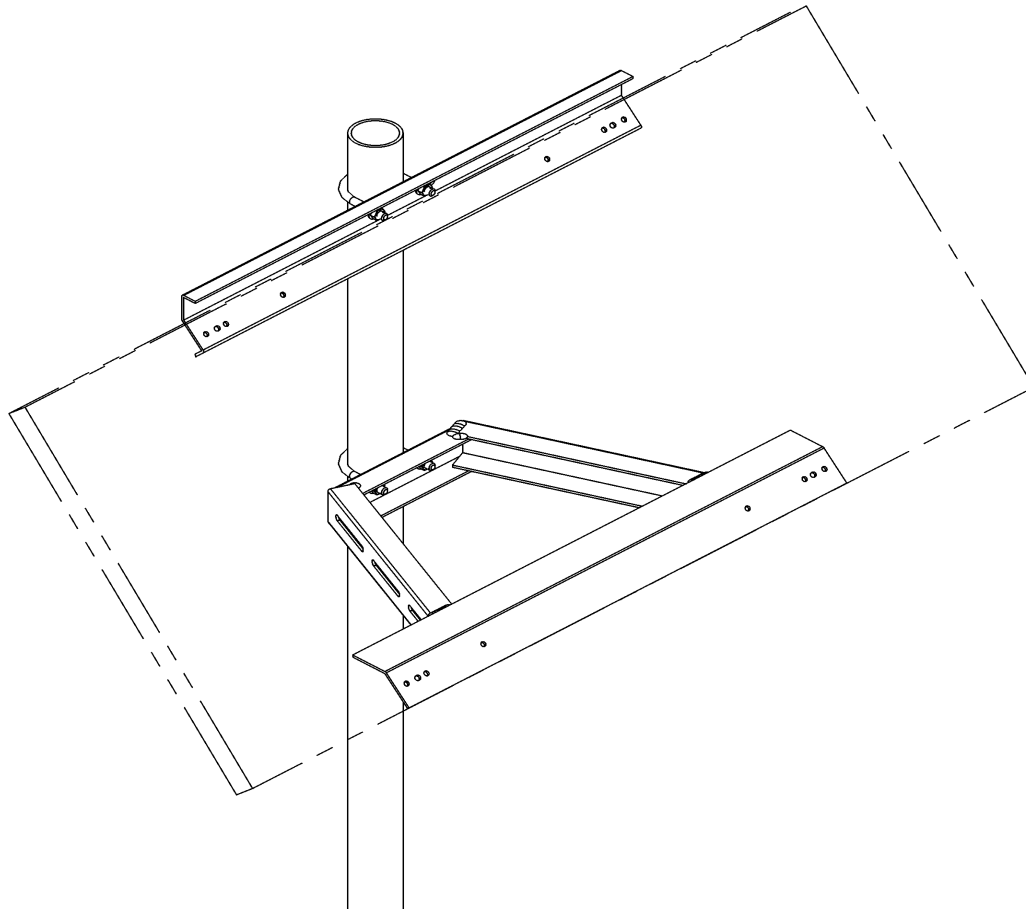


Side of Pole, Fixed Tilt Racks For Single, Mid-Size PV Modules



For one 30w – 120w PV Module

(See Compatibility Chart on Opposite Side)

All Hardware Included – Packed with module mounting hardware and two 1½" or 2" U-Bolts for pole mounting, as specified at time of order. (Other size U-bolts available by request.)

Quick And Easy Assembly – Attach the upper bracket and lower frame to the module. Then, simply attach the complete assembly to the pole with the u-bolts.

Non-Corrosive Materials – Aluminum upper bracket and lower frame; zinc-plated hardware. (Anodizing and stainless steel hardware available by request.)

Two Tilt Angles Available – Choose either 45° or 60° from horizontal. Other angles available by special order.

High Wind Load Design – 50 lbs./sq. ft. (nominally 120 mph.)

U-PS F Series

Module Compatibility Chart

UniRac #	Module Manufacturer	Model
U-PS/12F	Shell/Siemens	SM-46, 50, 55
	UniSolar	US-21, 32
U-PS/20F	Astropower	AP-65, 75
	BP Solar	BP-270, 275, 375, 380, 580, 585
		SX-30, 40, 50, 55, 60, 65 – U&M versions
	Shell/Siemens	SP-36, 65, 70, 75
U-PS/26F	Kyocera	KC-35, 40, 45, 50, 60, 70, 80
U-PS/26FL	Astropower	AP-110, 120
	Evergreen	EC-94, 102, 110
	Kyocera	KC-80, 120
	Shell/Siemens	SM-100, 110
U-PS/29FL	UniSolar	US-64

*All orders must specify 45 or 60 degree tilt angle from horizontal
All orders must specify 1.5" or 2" Schedule 40 pole size for correct u-bolts*

10 Year Limited Warranty

UniRac, Inc., warrants to the original owner at the original installation site that the U-PS F Series module rack (the "Product") shall be free from defects in material and workmanship for a period of ten (10) years from the earlier of 1) the date the installation is complete, or 2) 30 days after the purchase of the Product by the original owner. This warranty does not cover damage to the Product that occurs during shipment, or prior to installation.

If within such period the Product shall be reasonably proven to be defective, then UniRac shall repair or replace the defective Product, or part thereof, at UniRac's sole option. Such repair or replacement shall fulfill all UniRac's liability with respect to this warranty.

This warranty shall be void if installation of the Product is not performed in accordance with UniRac's Assembly Instructions for the Product, or if the Product has been modified, repaired, or reworked in a manner not authorized by UniRac in writing, or if the Product is installed in an environment for which it was not designed. UniRac shall not be liable for consequential, contingent, or incidental damages arising out of the use of the Product.



2300 Buena Vista, SE
Suite 134
Albuquerque NM 87106
Phone: 505.242.6411
Fax: 505-242-6412
e-mail: info@unirac.com
www.unirac.com