



SOLAR OUTDOOR LIGHTING, INC.

STANDARD FEATURES

- UL Listed
- 2-Year System Warranty
- 20-Year Solar Panel Warranty
- Protective Solar Panel Mount
- Maintenance-Free Gel Batteries
- Five-Day Battery Reserve
- Job Specific Lamp Selection
- Technical Service 800 number

LIGHTING APPLICATIONS

- Streets, Parks
- Parking Areas
- Security-Safety Zones
- Gates, Entrances
- Boat Ramps
- Jogging, Bike Paths
- Remote Locations

BENEFITS

- Immune to Power Outages
- Easy Installation
 - *Modular, pre-drilled
 - *Quick connect plugs
 - *Direct burial
- No Trenching-No wiring
- No Transformers
- No Meters



SOLAR OUTDOOR LIGHTING, INC.

Solar Outdoor Lighting, Inc.

3131 SE Waaler Street
Stuart, Florida 34997
Tel: (800) 959-1329
Tel: (561) 286-9461
Fax: (561) 286-9616

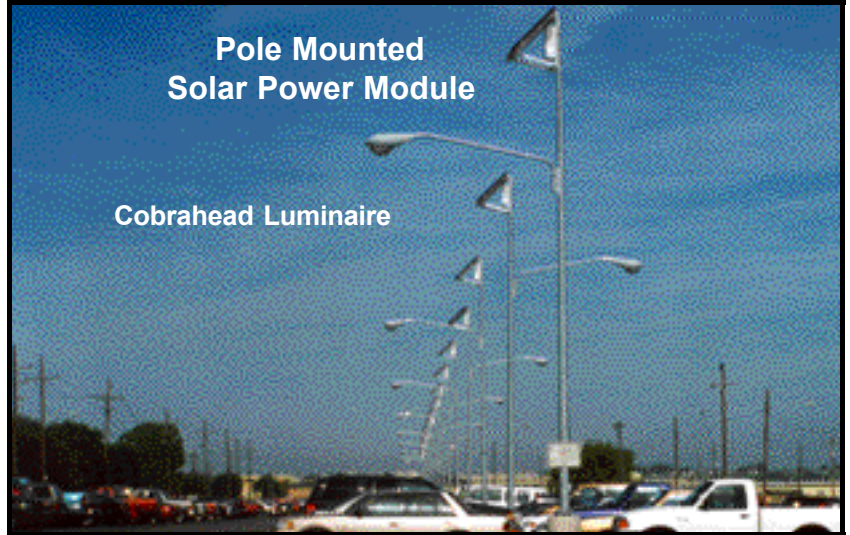
Email: info@solarlighting.com

Homepage: www.solarlighting.com

PM SERIES

Pole Mounted Solar Power Module

Cobrahead Luminaire



The PM Series features a totally integrated Solar Power Module (SPM) which can be mounted separate from the luminaire. This allows flexibility in luminaire selection and installation.

The integrated SPM includes protected solar panels, charge controller, gel batteries, battery box, wire harness, and mounting bracket. The universal mounting bracket allows for the solar panels to be mounted at either 45 degrees or 15 degrees. In this way the unit optimizes the capture of the sun's energy for a particular geographic location.

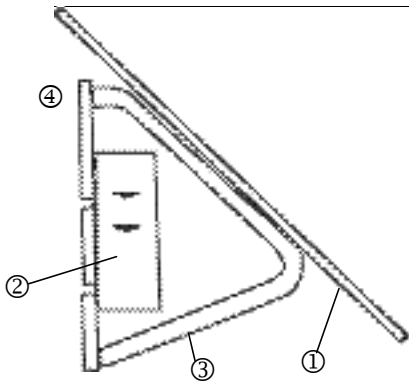
The SPM is normally mounted above the luminaire facing South, allowing the luminaire to face in any direction. Because the SPM is separate from the luminaire, the PM Series offers wide flexibility in lighting design. A top-of-post luminaire, on a walkway for instance, can be powered by a SPM mounted on a nearby pole and connected with a short run of underground cable.

PM Series

Solar Power Module Specifications

Lighting system consists of Solar Power Module and luminaire. See Standard Luminaires for available selection.

MOUNTING BRACKET ASSEMBLY



1. Solar panels protected with aluminum panel pans.
2. Shaded by Solar Panel(s), the rugged, vented battery compartment also houses the system controller and all interconnects.
3. Bracket mounts at 45 or 15 degrees to optimize energy collection.
4. Entire structural assembly is specifically engineered for rugged environment and usage.
5. Mounts on any pole 4 inch O.D. or greater.

POWER COMPONENTS

	Single Panel	Double Panel	Triple Panel
Panel Wattage-Output Amps Solarex MSX Series	53w-3.2A 64w-3.65A 77w-4.55A 83w-4.85A	106w-6.4A 128w-7.3A 154w-9.1A 166w-9.7A	192w-10.95A 231w-13.65A 249w-14.55A
Module Dimensions (Inches)	53w-20x44 64w-20x44 77w-26x44 83w-26x44	106w-40x44 128w-40x44 154w-52x44 166w-52x44	192w-60x44 231w-78x44 249w-78x44
Batteries-Maintenance Free Gel Cell Number-Total Amp. Hour Capacity	1=80 AH or 1=98 AH	2=160 AH or 2=196 AH	2=160 AH or 2=196 AH
Weight and Effective Projected Area (EPA) Rating(w), Weight (lb)-EPA (sq ft-sf) @ 45 Degrees (Includes Power Unit Only)	53w-125lb-4.3sf 64w-130lb-4.3sf 77w-145lb-5.6sf 83w-145lb-5.6sf	106w-210lb-8.5sf 128w-220lb-8.5sf 154w-230lb-11.2sf 166w-230lb-11.2sf	192w-240lb-12.8sf 231w-270lb-16.8sf 249w-270lb-16.8sf

CONTROLLERS

	SCU-1	Morningstar
Input Maximum Current	16 Amps	20 Amps
Load Current Maximum	20 Amps	20 Amps
Low Voltage Disconnect (LVD)	10.75 VDC	11.7 VDC
Low Voltage Reconnect (LVR)	12.35 VDC	12.8 VDC
High Voltage Disconnect (HVD)	15 VDC	N/A
Charge Stop Voltage	14.4 VDC	14.1 VDC
Dusk Set Point	VOC<4 VDC	VOC<6 VDC
Dawn Set Point	VOC>8 VDC	VOC>10 VDC