



# STANDARD LUMINAIRE

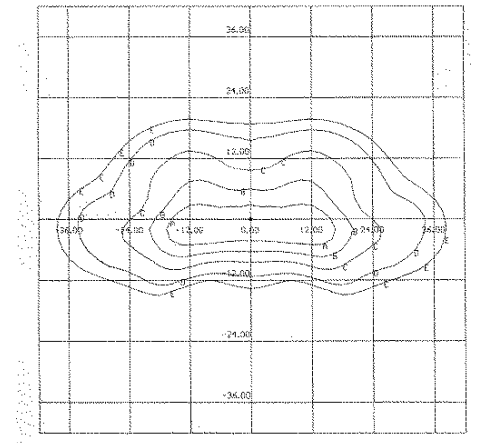
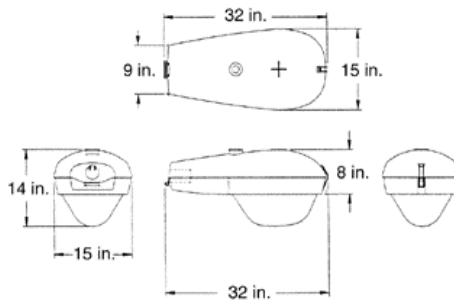
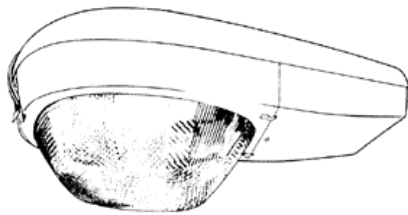
## LUMINAIRE

## SPECIFICATIONS • DIMENSIONS

## DISTRIBUTION PATTERN

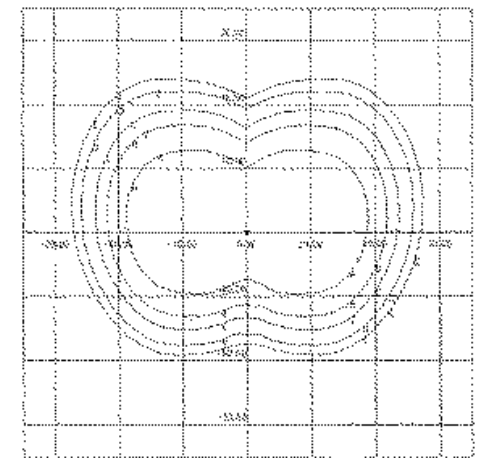
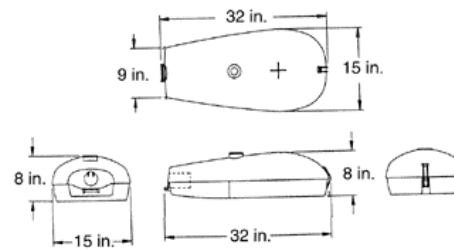
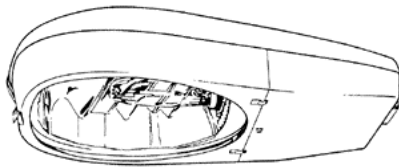
### Cobrahead Dome (CHD)

GE design, SOL Max-Lite reflector.  
 Die-cast aluminum, electrocoat gray finish.  
 Approximate weight-25#  
 EPA - 1.4 sq ft.



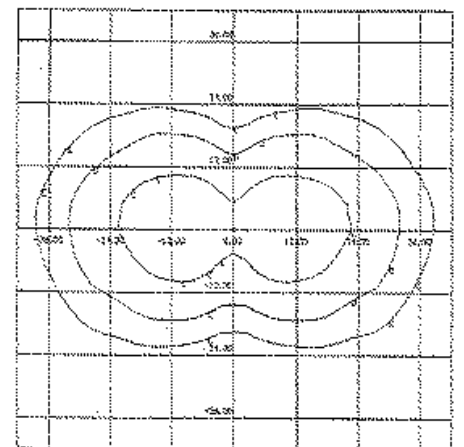
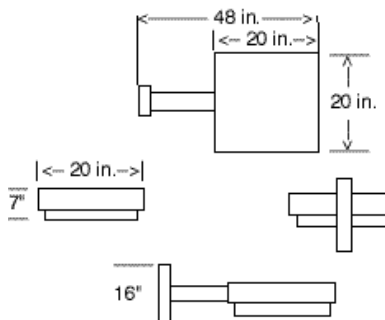
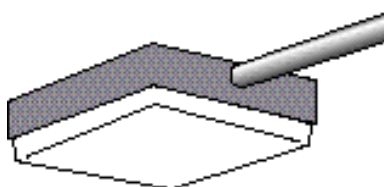
### Cobrahead Cutoff (CHC)

GE design, SOL Max-Lite reflector.  
 Die-cast aluminum, electrocoat gray finish.  
 Approximate weight-25#  
 EPA - 1.1 sq ft.



### Shoebox (SB)

SOL design, SOL Max-Lite reflector.  
 Cut off lens available. Aluminum, powder coat finish. Approximate weight-21-25#  
 EPA - 0.8 sq ft.





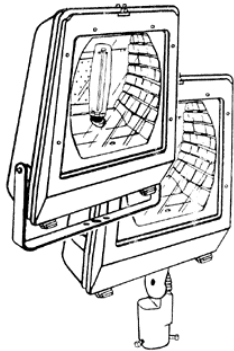
# STANDARD LUMINAIRES

LUMINAIRE

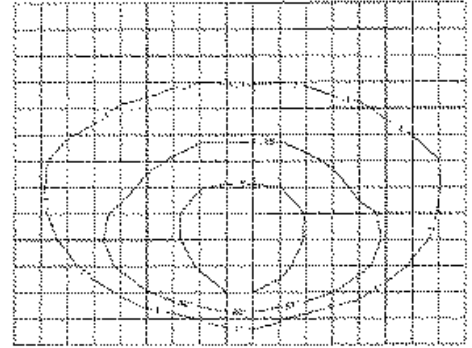
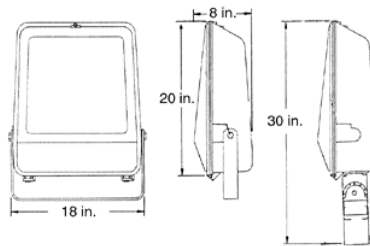
SPECIFICATIONS • DIMENSIONS

DISTRIBUTION PATTERN

## Power Flood (PL)



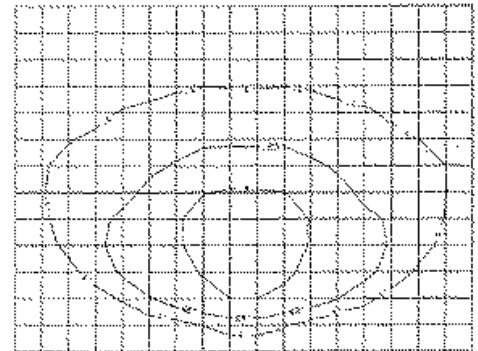
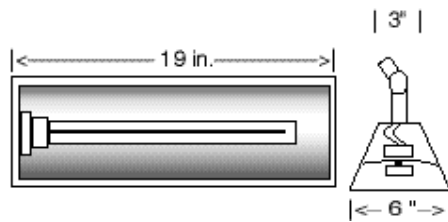
GE design, formed aluminum reflector.  
Die-cast aluminum, electrocoat finish.  
Built-in quick aiming sight.  
Approximate weight-21-30#  
EPA - 1.5 sq ft.



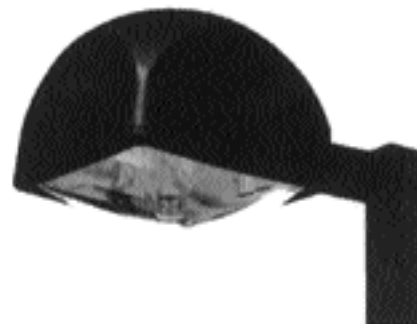
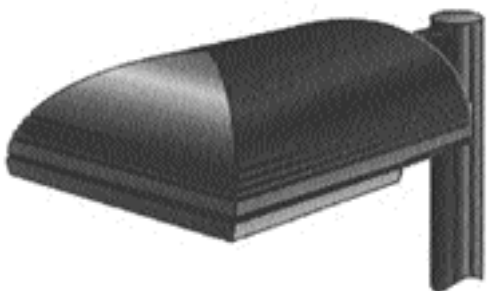
## Flood Light (FL)



SOL design, SOL Max-Lite reflector.  
Die-cast aluminum, powder coat finish.  
Enclosed, gasketed hinged top for easy  
access. Approximate weight-15#  
EPA - 0.7 sq ft.



Examples of Architectural Luminaires (Specifications upon request)





# STANDARD LUMINAIRES

LUMINAIRE  
TOP OF POST

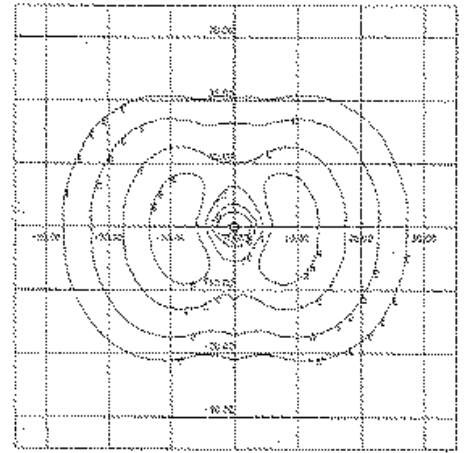
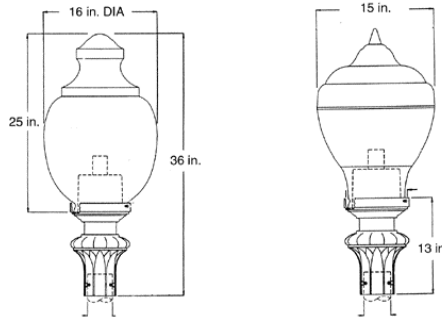
SPECIFICATIONS • DIMENSIONS

DISTRIBUTION PATTERN

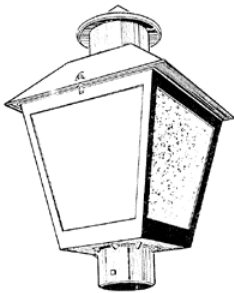
**Acorn  
(AN)**



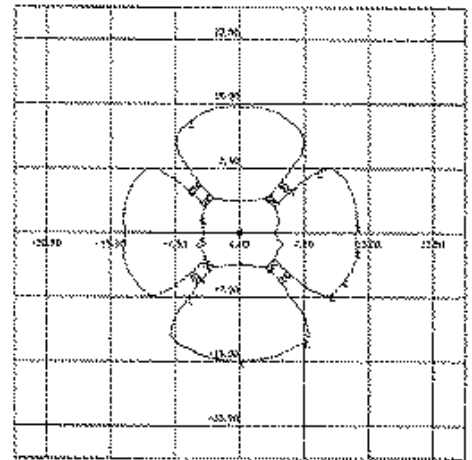
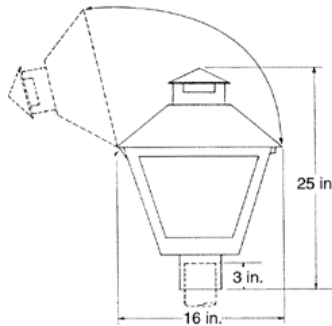
GE design, prismatic tiered globe.  
Cast aluminum base.  
UV stabilized for color clarity.  
Approximate weight-12-18#  
EPA - 1.4 sq ft.



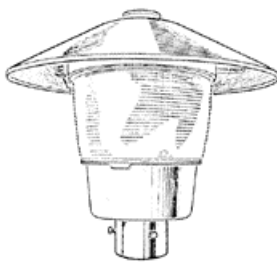
**Coach Light  
(CL)**



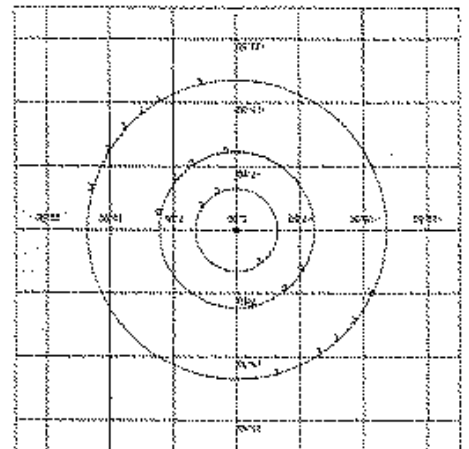
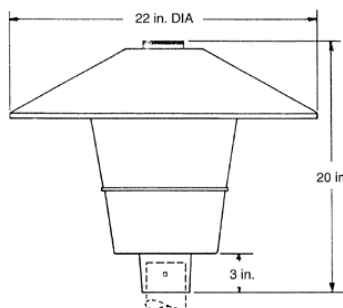
GE design, SOL Max-Lite reflector.  
Die-cast aluminum, electrocoat black finish.  
Hinged canopy, stainless steel latch.  
Approximate weight-12-18#  
EPA - 1.6 sq ft.



**Gas Light  
(GL)**



GE design, SOL Max-Lite reflector.  
Die-cast aluminum, electrocoat gray finish. Hinged canopy, stainless steel latch. Approximate weight-17-24#  
EPA - 1.6 sq ft.





# STANDARD LUMINAIRES

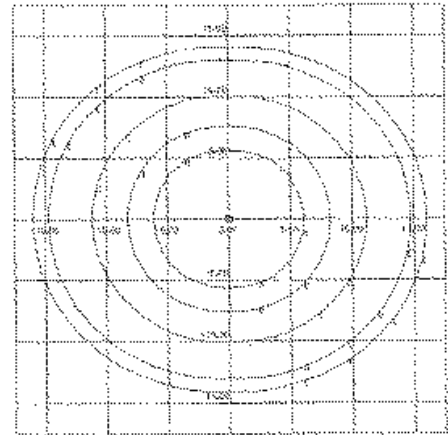
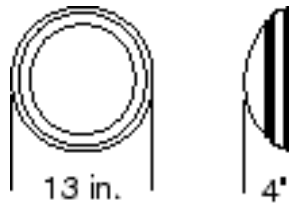
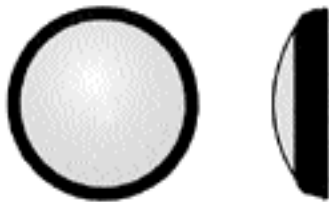
LUMINAIRE  
CEILING/WALL

SPECIFICATIONS • DIMENSIONS

DISTRIBUTION PATTERN

**Circular or Oval  
(KN)**

Kenall design, UV stabilized lens.  
**LIFETIME BREAKAGE GUARANTEE.**  
Injection molded polycarbonate base,  
with choice of colors.  
approximate weight - 10#  
EPA - N/A



**Rectangular  
(WS)**

Westerfield design, SOL Max-Lite  
reflector.  
Aluminum, powder coat finish.  
Vandal resistant housing.  
Approximate weight - 7#  
EPA-N/A

