

TLL Low-Profile Tilt Legs

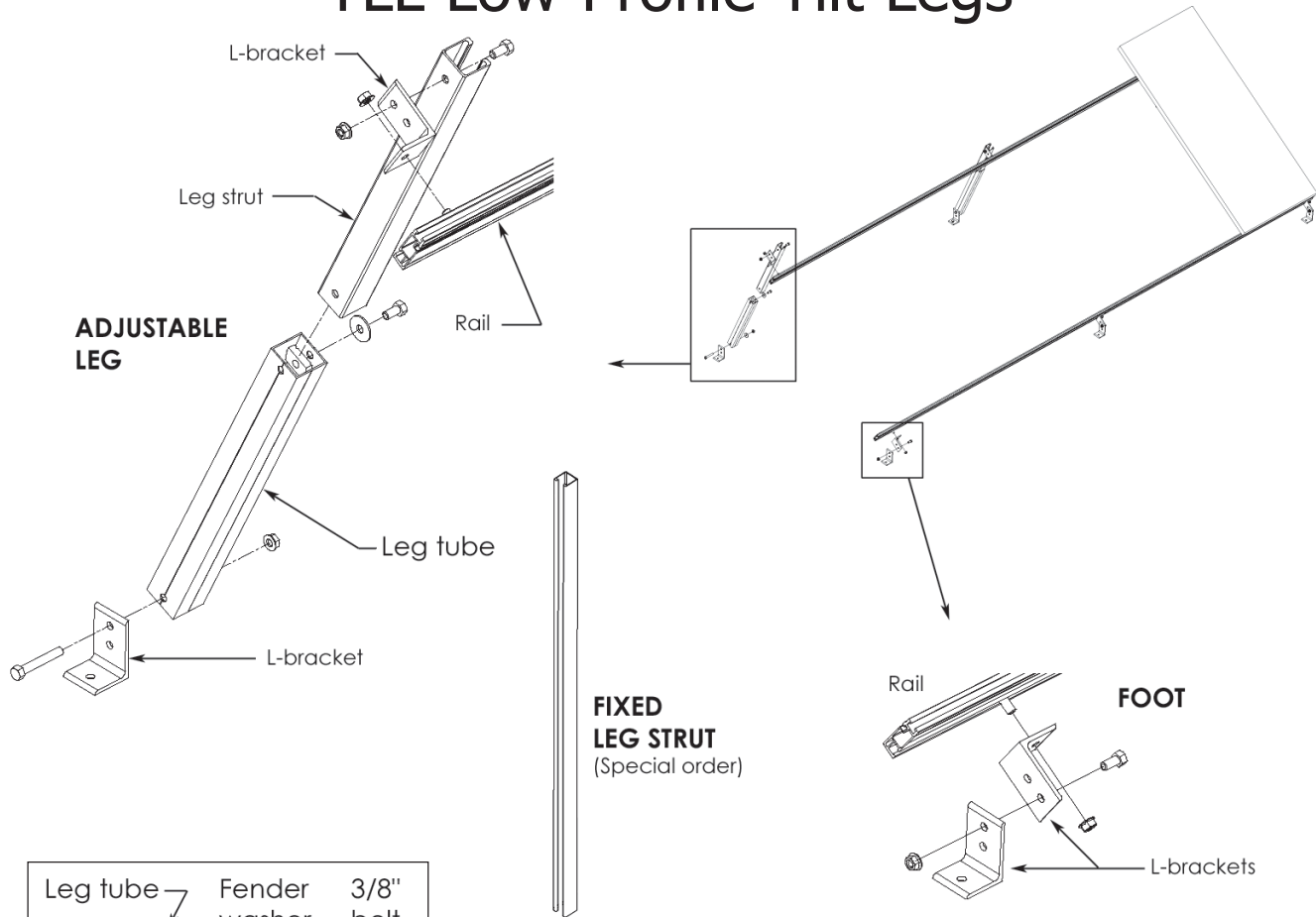


Figure 1. Leg and Foot Assembly: Illustrated parts are from your leg kit and your SMR rail set. Leg kit parts are listed in the parts inventory below.

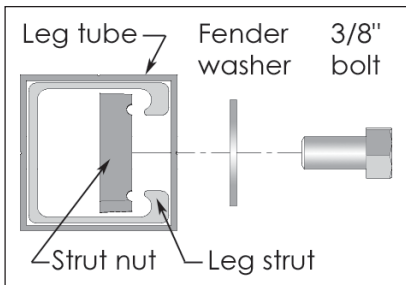


Figure 2. Adjustable Leg Cross Section

Thank you for purchasing a UniRac. Please cover these illustrations thoroughly before proceeding.

The installer is solely responsible for complying with applicable building codes and for all aspects of electrical installation of the PV array.

Use the parts list to verify that all parts are present. Note that Figures 1 and 3 illustrate parts from both your leg kit and your SMR rail set.

Caution: Stainless steel hardware can seize up, a process called galling. To significantly reduce the likelihood of galling, SAF-T-EZE anti-seize lubricant has been included with your hardware. Apply a very small drop to the threads of *all* bolts before installation.

Adjustable leg parts list (per leg)

Part	Qty.	Wrench size	Recommended torque (ft-lbs)
Leg tube	1		
Leg strut	1		
L-bracket	2		
Bolt, 3/8" x 1-1/4"	3	9/16"	30
Bolt, 3/8" x 3"	1	9/16"	30
Fender washer, 3/8"	2		
Strut nut, 3/8"	1		
Flange nut, 3/8"	2	9/16"	30

Fixed leg parts list (per leg)

Part	Qty.	Wrench size	Recommended torque (ft-lbs)
Leg strut	1		
L-bracket	2		
Bolt, 3/8" x 1-1/4"	3	9/16"	30
Flange nut, 3/8"	3		

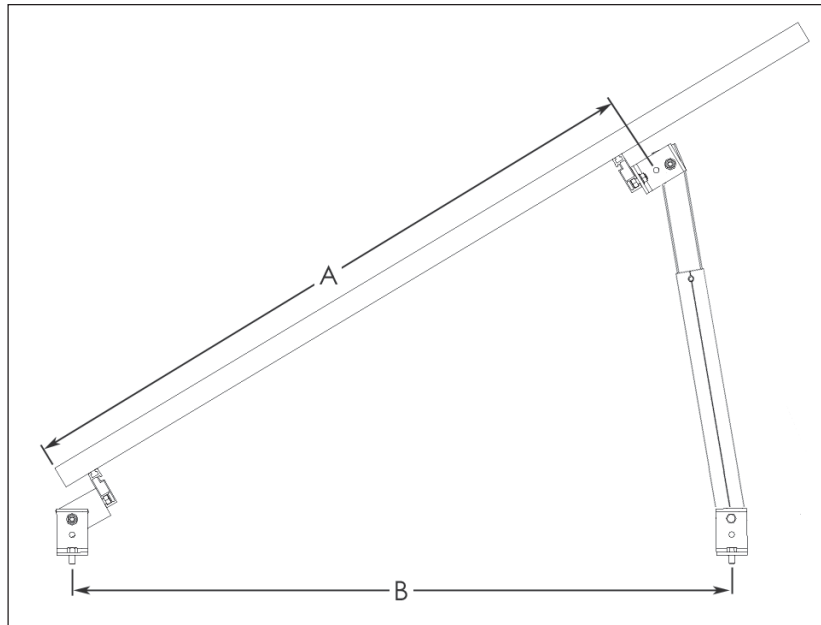


Figure 3. Spacing between front and back feet (B) should approximately equal the distance between the lower end of the module and the upper L-bracket (A).

10 Year Limited Warranty

UniRac, Inc., warrants to the original owner at the original installation site that the upgraded TLL tilt legs (the "Product") shall be free from defects in material and workmanship for a period of ten (10) years from the earlier of 1) the date the installation is complete, or 2) 30 days after the purchase of the Product by the original owner. This warranty does not cover damage to the Product that occurs during shipment, or prior to installation.

If within such period the Product shall be reasonably proven to be defective, then UniRac shall repair or replace the defective Product, or part thereof, at UniRac's sole option. Such repair or replacement shall fulfill all UniRac's liability with respect to this warranty.

This warranty shall be void if installation of the Product is not performed in accordance with UniRac's Assembly Instructions for the Product, or if the Product has been modified, repaired, or reworked in a manner not authorized by UniRac in writing, or if the Product is installed in an environment for which it was not designed. UniRac shall not be liable for consequential, contingent, or incidental damages arising out of the use of the Product.

Pub 030122-1ii
 ©2003 by UniRac, Inc.
 All rights reserved.

UniRAC® *THE NEW STANDARD IN PV MODULE RACKS™*

UniRac, Inc., 3201 UNIVERSITY BLVD SE, SUITE 110, ALBUQUERQUE, NM 87106-5635 USA
 505.242.6411 FAX 505.242.6412 WWW.UNIRAC.COM