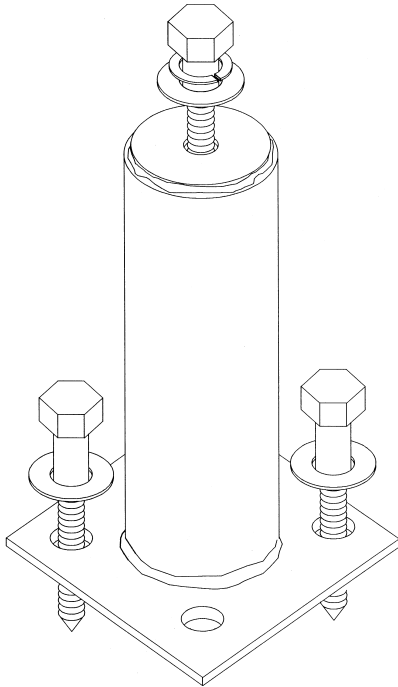
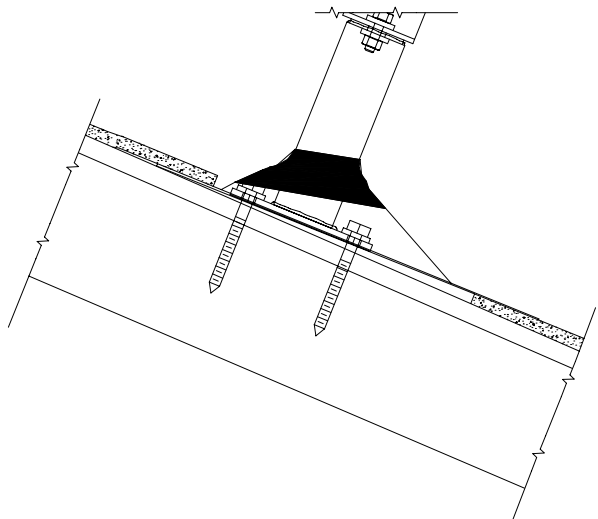
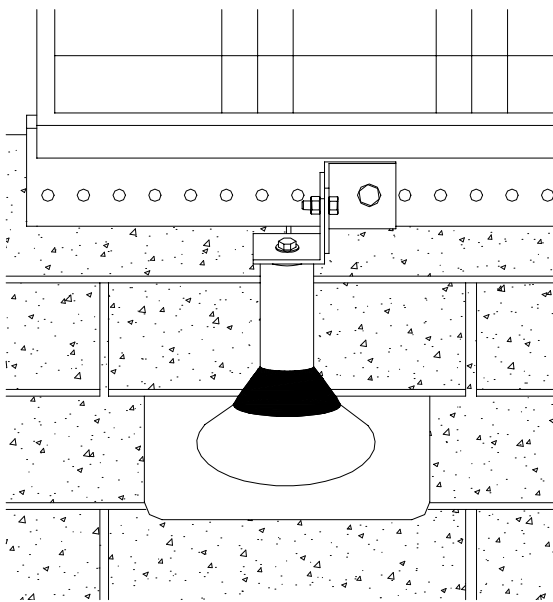


## PV Roof Standoff Kits

***Raises UniRacs 3" or 6" Above the Roof Decking***



***U-RS PV Roof Standoffs are Packed with Stainless Steel Hardware***



### Specifications

#### Two Heights Available

3" for composition asphalt, low profile tile, cedar shake and similar roofs

6" for Spanish tile and similar roofs

#### Marine-Grade Zinc-Plated Welded Steel Construction

#### Stainless Steel Hardware Included

2ea 5/16" x 3 1/2" lag bolts

1ea 3/8" bolt, flat washer and lock washer

#### Use with 1 1/4 - 1 1/2 inch Oatey® No-Calk® or similar flashings – not included

#### Dimensions

Height – 3" or 6", depending on model

Base Plate – 2" wide x 4" high

Roof Mounting Holes – 3/8"

Standoff diameter – 1 1/4" nominal, Schedule 40, (1.66" O/D)

***U-RS Series PV Roof Standoff  
Shown with Elastomer-Collared Flashing on Composition Asphalt Roof***

**U-RS Series PV Roof Standoff Kits are Designed for Use  
With Oatey® No-Calk® Roof Flashings or Equivalent**

Oatey #	Description	Oatey #	Description
11840	Galvanized, 8 ¾ " x 12 ½ " Base	11810	Copper, 8 ¾ " x 12 ½ " Base
11921	Galvanized, 18" x 18" Base	11908	Thermoplastic, 8 ¾ " x 12 ½ " Base
12920	Aluminum, 8 ¾ " x 12 ½ " Base	11887	Thermoplastic, 18" x 18" Base
12836	Soft Aluminum, 18" x 18" Base	14009	Flexible Thermoplastic, 8 ¾ " x 12 ½ " Base

**Oatey No-Calk Roof Flashing Specifications:**

- Designed for roof pitches up to 40 degrees
- Non-fading elastomer sealing collar
- Rated 180° F Continuous Heat
- Not for Hot Mopped or Built Up Roofs
- Do Not Use Petroleum Based Products on Collars or Thermoplastic Bases.

The above chart shows the most common Oatey flashings that can be used with the U-RS Standoffs. Consult Oatey @ [www.oatey.com](http://www.oatey.com), or your local roofing supply dealer for other alternatives.

**UniRac 5 Year Limited Warranty**

UniRac, Inc. warrants to the original owner at the original installation site that U-RS Series PV Roof Standoffs (the "Product(s)") shall be free from defects in material and workmanship for a period of five (5) years from the date of shipment from its plant. If, within said period, any Product(s) shall be reasonably proven to be defective, then UniRac shall replace said Product(s), or part thereof, at UniRac's sole option. This warranty shall be void if the Product(s) is/are not installed in accordance with UniRac's Assembly and Installation Instructions for the Product(s). UniRac shall not be responsible

for removal of defective Product(s) and installation of replacement Product(s). Replacement of defective Product(s) shall constitute fulfillment of all UniRac's liabilities with respect to such Product(s). UniRac shall not be responsible for damage to Product(s) due to repairs or modifications not authorized in writing by UniRac, or due to use in environments for which the Product(s) was not designed. UniRac shall not be liable for any consequential, contingent, or incidental damages arising out of the installation or use of the Products in any manner.

UniRac Item #	Height	Suggested Retail Price
U-RS/3	3"	\$ 17.00 each (hardware included)
U-RS/6	6"	\$ 18.00 each (hardware included)

*Prices and Specifications Subject to Change Without Notice*



2300 Buena Vista, SE, Suite 134  
Albuquerque NM 87106  
Phone: 505.242.6411  
Fax: 505-242-6412  
e-mail: [info@unirac.com](mailto:info@unirac.com)