

## Assembly Instructions

### U-PT 106 – All Models

Requires 6 inch Schedule 40 (6 5/8 inches O.D.) Mounting Pole – Not Supplied

For High Wind Applications (Over 90 MPH), Use 6 inch Schedule 80 Mounting Pole

## Read Instructions Completely Before Assembling Rack

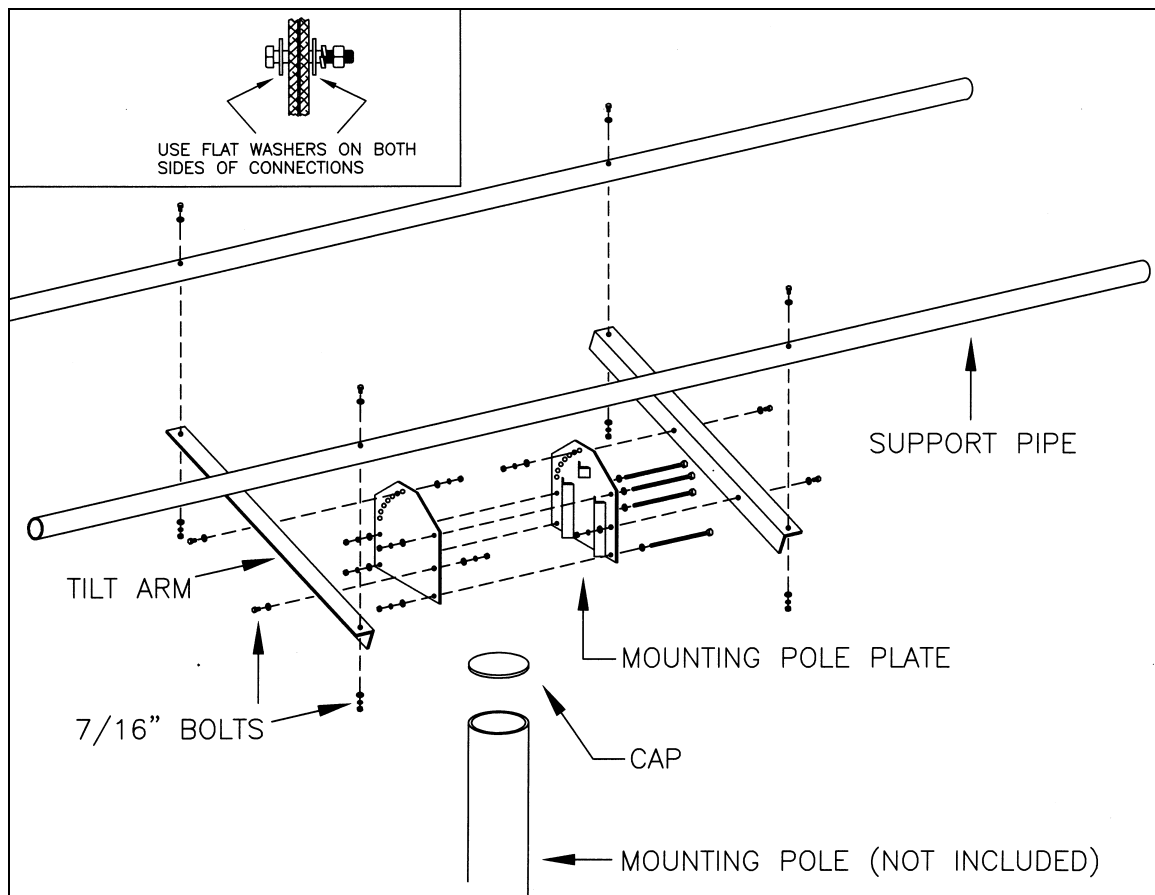
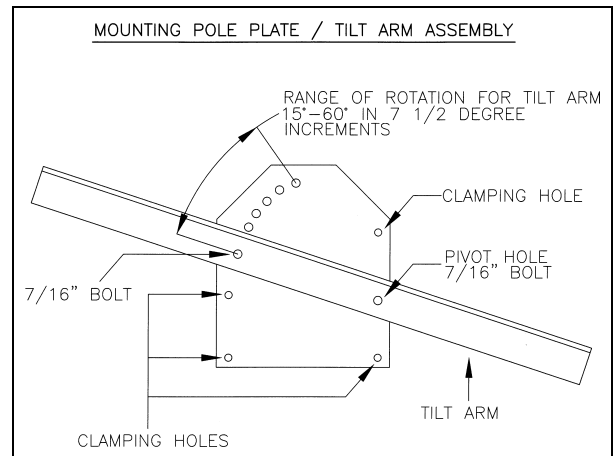
### Assemble the Rack Support Structure

1 – Loosely connect the two Mounting Pole Plates. Use the 8" long 3/8" Bolts, Washers and Nuts, and insert through the Clamping Holes.

2 – Attach the Tilt Arms to the outside of the Pole Plates. Use the short 7/16" Bolts, Washers and Nuts. Use the lowest (15 degree) Arc Hole and the Pivot Hole. Finger tighten only.

3 – Attach the two Support Pipes to the ends of the Tilt Arms. Use the 4" long 7/16" Bolts, Washers and Nuts. Finger tighten only.

4 – Place the Cap on top of the Mounting Pole, then place the assembled Support Structure on top of the Mounting Pole. Finger tighten all Support Structure Bolts. Rotate the Support Structure to the approximate direction that the panels will face.



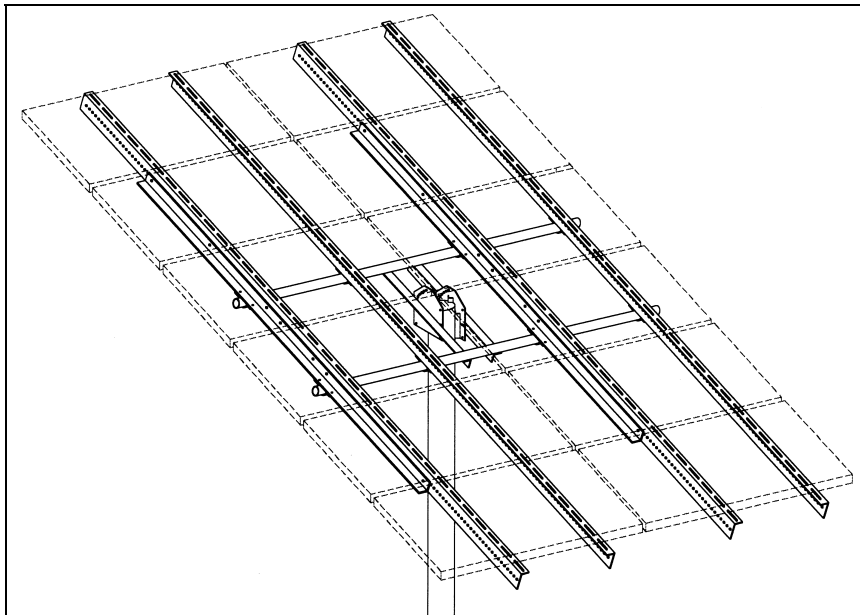
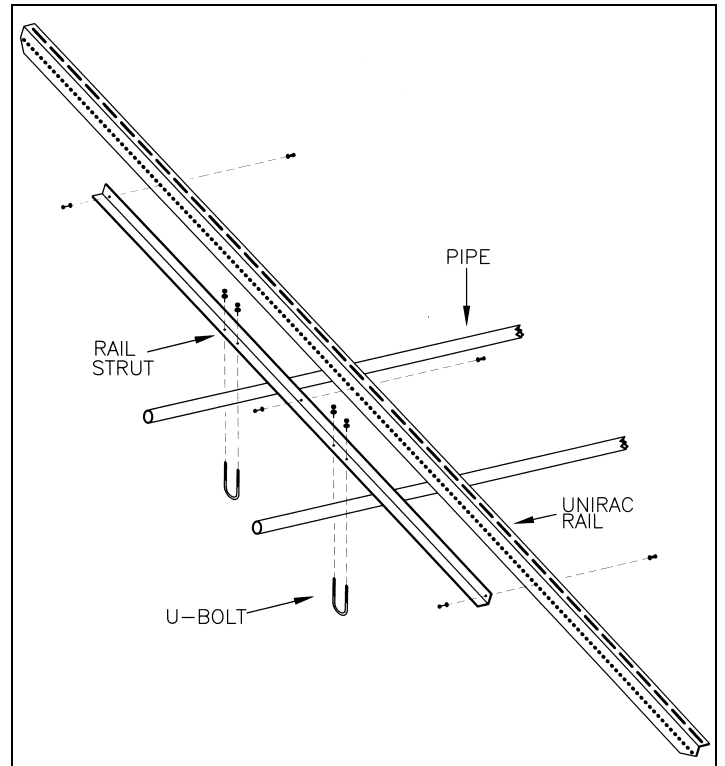
### Assemble the UniRac Rail/Strut Assemblies

5 – Attach a UniRac Rail to a Rail Strut with short 3/8" Bolts, Flat Washers and Locking Nuts as shown in the adjoining figure. **The Strut must be centered on the UniRac Rail.** Tighten securely.

6 – Assemble the remaining three sets of Rails and Struts as described in Paragraph 5 above.

7 – Loosely attach two U-Bolts to each of the four UniRac Rails with Washers and Locking Nuts.

8 – Slide 2 UniRac Rails on each end of the Support Pipes. Position the inner rails so that the distance between them is sufficient for both rows of PV Modules to be mounted without overlapping. Position the outer rails so that the distance between the slots of each inner and outer UniRac Rail is equal to the distance between the mounting holes of the PV Module frames.



### Attach PV Modules to UniRac Rails

9 – Attach the PV Modules to the UniRac Rails using 1/4" Bolts, Washers and Nuts. **The PV Modules must be centered along the length of the UniRac Rails for balance and ease of tilt adjustment.**

10 – After all PV Modules have been mounted, close any gap between the two rows of Modules. **The Module Array must be centered along the Support Pipes for balance and optimum wind loading characteristics.** Tighten the U-Bolts securely.

### Final Adjustment of Tilt and Compass Angles

11 – While supporting the Module Array from below, remove ONLY the two Arc Hole Bolts. Lift the Array to obtain the desired tilt angle. Re-insert the Arc Hole Bolts in the nearest Arc Hole and allow the array to rest on the bolts. Replace the washers and nuts and re-tighten the bolts securely.

12 – Loosen, but do not remove, the long Clamping Bolts on the Mounting Pole Plate. Rotate the Array on the top of the Mounting Pole to obtain the desired Compass Angle. Re-tighten the Clamping Bolts securely.