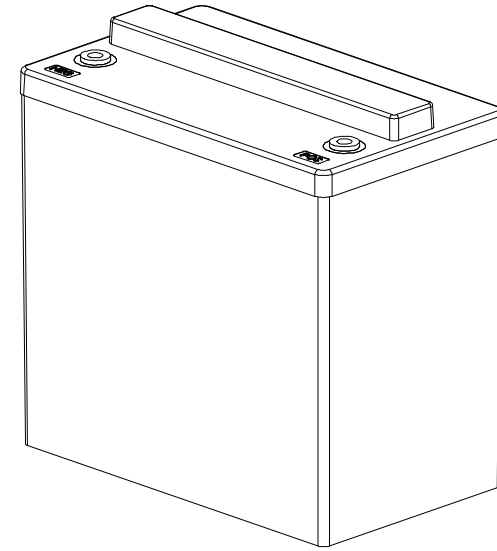
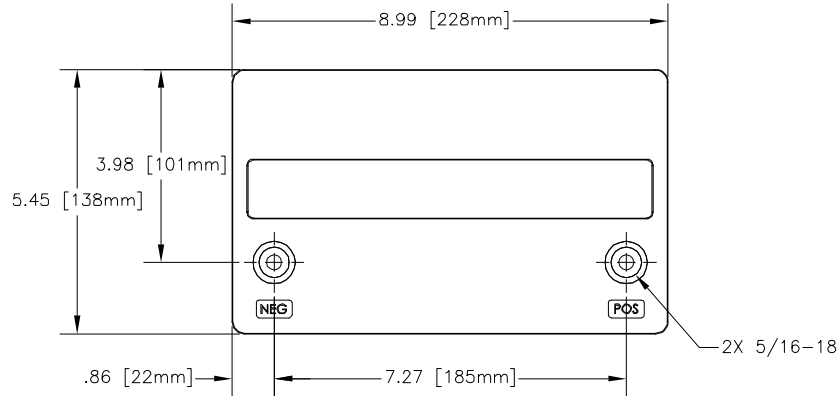


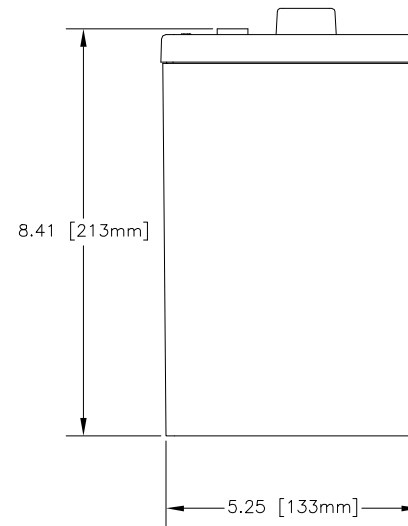
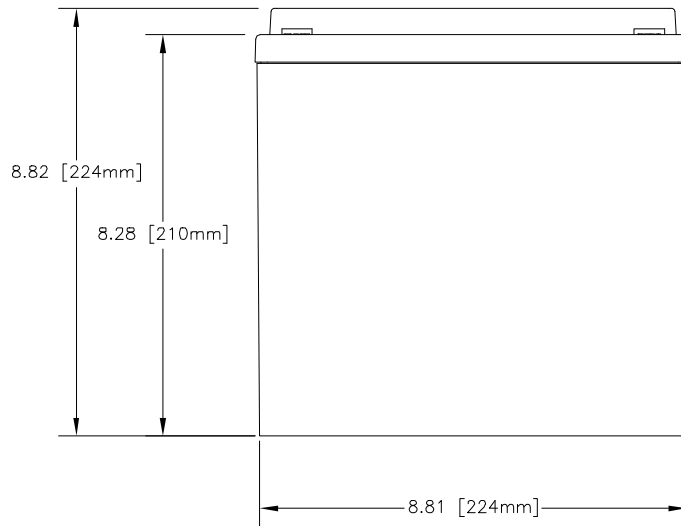
NOTES: UNLESS OTHERWISE SPECIFIED

1. SEE DRAWING NO. CB-00292 AND PROCEDURE P-1000 FOR ASSEMBLY AND TEST INSTRUCTION. PROCEDURES AND ASSEMBLY DRAWINGS ARE FOR INTERNAL USE ONLY.
2. ALL TESTING ARE IAW BATTERY COUNCIL INTERNATIONAL STANDARDS.
3. ALL DIMENSIONS ARE IN INCHES [MM].

REVISIONS			
REV	DESCRIPTION	DATE	APPROVED



REFERENCE VIEW



CAPACITY RATINGS		
PART NUMBER	PVX-1248T	PVX-1255T
NOMINAL WEIGHT	35 LBS[15.9 KG]	39 LBS[17.7 KG]
AMPERE HOUR CAPACITY @ 20 HOUR 1.75 VOLTS/CELL @ 77°F (25° C)	48 AH	55 AH
MINUTES OF DISCHARGE @ 25 AMPS 1.75 VOLTS/CELL @ 77°F (25° C)	84 MIN	96 MIN

QTY	REQD	CAGE CODE	PART OR IDENTIFYING NO.	NOMENCLATURE OR DESCRIPTION	MATERIAL SPECIFICATION	ITEM NO.
PARTS LIST						
UNLESS OTHERWISE SPECIFIED DIMENSIONS ARE IN INCHES TOLERANCES ARE: FRACTIONS DECIMALS ANGLES .XX ± .06 .XXX ± .060				CONTRACT NO.		CONCORDE BATTERY CORPORATION 2009 SAN BERNARDINO RD, W. COVINA, CA 91790
TREATMENT		NONE		CHECKED	S. VALDEZ	3/16/00
FINISH		NONE		APPROVED	DG	3/28/00
SIMILAR TO		N/A		ACT WT	N/A	CALC WT N/A
ISSUED		DR		3/28/00	SCALE	NONE
				APPROVALS	DATE	TITLE
				ELH	3/16/00	BATTERY, 12 VOLT, PVX-1255T SERIES
				SIZE	CAGE CODE	DWG NO.
				C	63017	PVX-1255T
				REV		
				SHEET	1	OF 1

ENGINEERING COPY 25MAR00